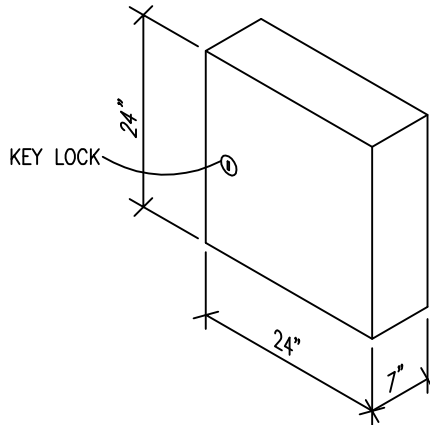
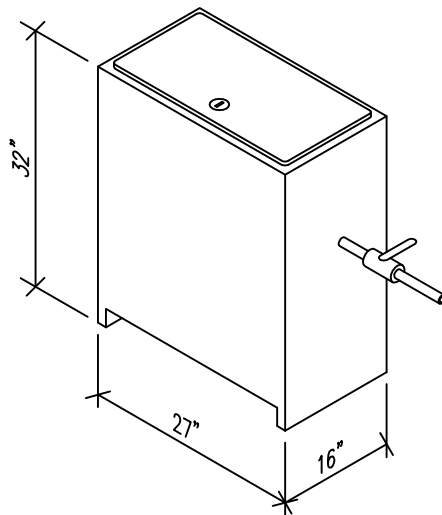




DISCONNECT  
BY ICOC



CONTROL PANEL  
BY ICOC



PUMP UNIT  
BY ICOC

ELEVATOR MACHINE ROOM  
MUST HAVE INSTALLED (BY OTHERS):

- 1) 240 VOLT, 30 AMP POWER CIRCUIT (4 WIRE SYSTEM, #10 WIRE),
- 2) LIGHT SWITCH; ON WALL WITHIN 12" OF LATCHSIDE OF DOOR,
- 3) CEILING LIGHT WITH GUARD,
- 4) TELEPHONE JACK,
- 5) SEPARATE 120 VOLT POWER FOR ELEVATOR CAR LIGHT,
- 6) 120 VOLT SERVICE RECEPTACLE,
- 7) SELF-LOCKING, SELF-CLOSING DOOR.

CONTROL PANELS  
UL #BB798204/E155780

PUMP UNIT:

240 VOLT AC, SINGLE PHASE MOTOR.  
CMR 750: 3.0 HP (14 FLA, 56 LRA)  
CMR 450: 2.0 HP

SUBMERGED PUMP: CMR 750 - 5.5 GPM  
CMR 450 - 3.5 GPM

WORKING PRESSURE: 595 PSI

COIL VOLTAGE, 120 VOLTS.



INCLINATOR CO. of CA.  
8116-A BYRON ROAD  
WHITTIER, CA. 90606  
(562) 696-6867  
(800) 201-1212

CUSTOM ELEVATOR HYDRO 7540

MACHINE ROOM  
EQUIPMENT & SPECS

EQUIPMENT

SCALE: NONE  
FILE: ICUS-EQUIP.DWG  
DATE: 22 JUN 2005